



Acme Sanitary Ware Co. Ltd.

1/F, Acme Building, 22-28 Nanking Street, Kowloon, Hong Kong

Tel: 2388 7171 Fax: 2710 8012

Email: acme@acmesanitary.com.hk

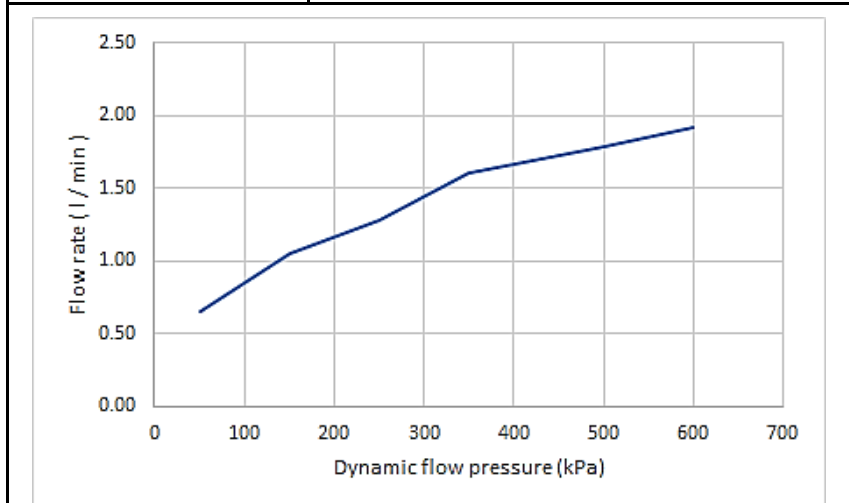
Website: www.acmesanitary.com.hk

Since 1949

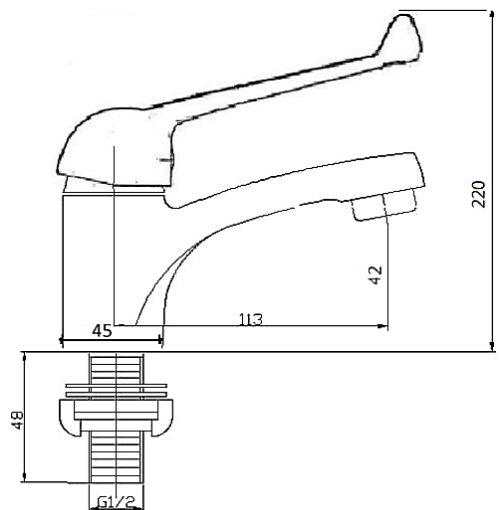
PROJECT		REF		REV	ITEM CODE	
LOCATION		DATE			PAGE	

SANITARY WARE SPECIFICATION SHEET

Item Descriptions	Ansporn (PRC) Chrome plated disabled elbow action tap for cold water only ; Nominal flow rate 1.3 L/min in WELS Grade 1 ; Registration No. TN 18-0029	<p>Illustration/ Drawing</p>
Dimensions	Refer to drawing	
Model	A6102SA.00.G1 (Tap) ZA05 (Disabled lever only)	
Finish	Chrome Plated Brass	
Manufacturer	Ansporn (PRC)	
Source	Acme Sanitary Ware Co. Ltd Mr. Eric Wong/ Mr. Don Yuen	
Contact Tel/Fax	(852) 2388-7171 / (852) 2710-8012	
E-mail	acme@acmesanitary.com.hk	
Website	www.acmesanitary.com.hk	



Dynamic flow pressure (kPa)	50	150	250	350	500	600
Flow rate (l/min)	0.65	1.05	1.28	1.60	1.78	1.92



Note:

* All information of the above is for the reference only. No prior notice is made if any changes.

註冊號碼 (Registration No.): TN 18-0029




自願參與用水效益標籤計劃 - 水龍頭
Voluntary Water Efficiency Labelling Scheme - Water Taps



茲證明
This is to certify that

將下列水龍頭在本計劃內註冊：
has registered the following water tap under this scheme :

牌子 / Brand	:	Ansporn
型號 / Model	:	A6102SA.00.G1
種類 / Type	:	Non-mixing
原產地 / Country or Region Origin	:	China

在用水效益標籤上展示的標誌 <i>Symbolic Presentation on the Water Efficiency Label</i>	:		滴水點 <i>Water droplet(s)</i>
用水效益級別 <i>Water Efficiency Grade</i>	:	1	
耗水量 <i>Water Consumption</i>	:	1.3	公升/分鐘 <i>litres/minute</i>

簽發日期：
Date of Issue: 4 July 2018

 水務署
Water Supplies Department



水務署署長(周世威代行)
for Director of Water Supplies



Supplies Department

打道七號入境事務大樓 48 樓

Migration Tower, 7 Gloucester Road, Wan Chai, Hong Kong

本署檔號 : (6) in WSD 3321/2021 T/J(148/2021)
Our ref.
來函檔號 :
Your ref.

電話 :
Tel.
傳真 : 2824 0578
Fax.

15 April 2021

Dear Sir,

**Approval of "ANSPORN" Basin Tap
(General Acceptance No. C20210381)**

Your letters ref. TFWC-2021-001, TFWC-2021-001R and TFWC-2021-001R1 dated 8 January 2021, 26 February 2021 and 18 March 2021 respectively refer.

Having considered the test report ref. J25924r2 issued on 18 March 2021 by Nutek System (HK) Limited, this Authority accepts that the fitting described below complies with, and its use when correctly installed does not contravene, the Waterworks Ordinance and Regulations.

Name of Manufacturer: Kaiping City Doyei Sanitary Ware Corporation Ltd

Country of Origin: the Mainland of China

Brand: Ansporn

Details of Fitting: 1/2" Single lever basin tap

Model: A6102SA.00.G1

Body Markings: *Ansporn*

Expiry Date: 1 December 2025



This Authority hereby permits the use of the above fitting in fresh water plumbing systems subject to full adherence to Waterworks installation requirements.

A condition of this acceptance is that the fitting to be installed shall be replicas of the sample as certified by the testing agent mentioned above and without modifications. This acceptance may be withdrawn at any time if the standard of the fitting installed fails to meet that of the approved sample or if the fitting is found to be unsuitable for use in fresh water plumbing systems.

This acceptance is only applicable to the main body of the fitting, unless otherwise specified.

For the use of the fitting in any project, the General Acceptance Number of this letter must be quoted as a means of identification of acceptance of the fitting by this Authority.

Should you have any enquiries, please contact our Engineer Mr. Terry KUNG at tel. no. 3583 4086.

Yours faithfully,



(Roger WONG)

for Director of Water Supplies

Encl.

c.c. WSD 3321/1/82] - without catalogue
 ME/MC] - with soft copy only



Acme Sanitary Ware Co. Ltd.

1/F, Acme Building, 22-28 Nanking Street, Kowloon, Hong Kong

Tel: 2388 7171 Fax: 2710 8012

Email: acme@acmesanitary.com.hk

Website: www.acmesanitary.com.hk

Since 1949

PROJECT		REF		REV	ITEM CODE	
LOCATION		DATE			PAGE	

SANITARY WARE SPECIFICATION SHEET

Item Descriptions	F3/8" x F1/2"x 350mm Stainless steel flexible hose, 350mm length (HKWA Approved)	Illustration/ Drawing
Model	HL-SS-01-02-008-035	
Finish	Stainless Steel	
Source	Acme Sanitary Ware Co. Ltd Mr. Eric Wong/ Mr. Don Yuen	
Contact Tel/Fax	(852) 2388-7171 / (852) 2710-8012	
E-mail	acme@acmesanitary.com.hk	
Website	www.acmesanitary.com.hk	

Note:

** All information of the above is for the reference only. No prior notice is made if any changes.*



Supplies Department

士打道七號入境事務大樓 48 樓

46/F, Immigration Tower, 7 Gloucester Road, Wan Chai, Hong Kong

本署檔號 : (6) in WSD 3321/19 T/J(1002/2019)
Our ref.
來函檔號 :
Your ref.

電話 :
Tel.
傳真 : 2824 0578
Fax.

8 November 2019

Dear Sir,

**Approval of "HL" Flexible Hoses
(General Acceptance No. B20190064)**

Your letters ref. TFWC-2019-010, TFWC-2019-010R1 and TFWC-2019-010R dated 27 September 2019, 23 October 2019 and 25 October 2019 respectively refer.

It is noted that the fittings described below have been accepted by the United Kingdom Water Regulations Advisory Scheme (WRAS) to have complied with the requirements of the United Kingdom Water Supply (Water Fittings) Regulations / Scottish Water Byelaws when correctly installed. This Authority accepts that the fittings described below based on the WRAS certificate comply with, and their use when correctly installed does not contravene, the Waterworks Ordinance and Regulations.

Name of Manufacturer: Kaiping City Hualing Hoses Co Ltd

Country of Origin: the Mainland of China

Brand: HL

Details of Fitting: Nylon and stainless steel braided flexible hose assemblies with EPDM inner hose and brass end connectors which incorporate EPDM washers and 'O'-rings. Maximum



working pressure 10.0 bar. Maximum working temperature 85°C

Model and Size:

HL-SS-XX-XX-XXX-XXX
HL-N-XX-XX-XXX-XXX

SS=Stainless Steel Braided Hose
N=Nylon Pull out Hose

1st & 2nd XX = Connection sizes:

01=F3/8

02=F1/2

03=F3/4 (only available on SS models)

04=F15*1 (only available on SS models)

05=M3/8 (only available on SS models)

06=M1/2 (only available on SS models)

07=M3/4 (only available on SS models)

08=M15

09=M12

10=M10

12=Pushfit (M) 11mm ID or (F) 11mm OD

1st XXX:

Hose size:

Nylon and stainless steel braided hoses:

006= DN6, 008= DN8

Stainless steel braided hoses only:

010= DN10, 014= DN14

2nd XXX:

Hose length:

15CM - 200CM

Body Markings:

Hualing, WRAS and date of manufacture (yyyy) on ferrule

WRAS Approval Number: 1909363

Installation Requirements: R001

Expiry Date: 30 September 2024

In view of the acceptance by WRAS, this Authority has no objection to the use of the said fittings in fresh water plumbing systems subject to full adherence to Waterworks installation requirements. In particular, you are required to draw your customers' attention to the following installation requirements –

“Installation shall comply with the ‘Installation Requirements & Notes’ of the WRAS’s approval letter concerned.” AND

“The inlet flexible hose is applied for the water tap or mixer connection only and installed in the fresh water plumbing systems.”

A condition of this acceptance is that the fittings to be installed should be replicas of the samples certified by WRAS and no modification should be made to the fittings. This acceptance may be withdrawn at any time if the standard of the fittings installed fails to meet that of the approved samples or if the fittings are found to be unsuitable for use in fresh water plumbing systems.

For the use of the fittings in any project, the General Acceptance Number of this letter must be quoted as a means of identification of acceptance of the fittings by this Authority.

Should you have any enquiries, please contact our Engineer Mr. Terry KUNG at tel. no. 3583 4086.

Yours faithfully,



(CHAN Chung-kun)

for Director of Water Supplies

Encl.

c.c. WSD 3321/1/82] - without catalogue
 ME/MC] - with soft copy only